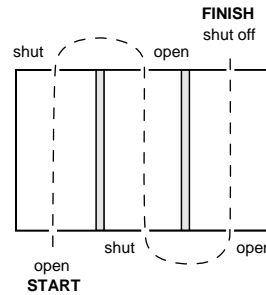
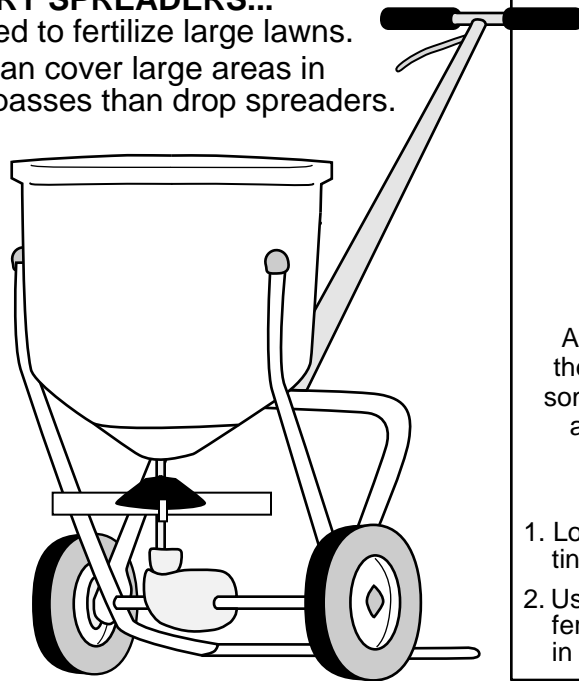


ROTARY SPREADERS...
are used to fertilize large lawns.
They can cover large areas in
fewer passes than drop spreaders.



The Rotary Spreader Pattern

Always begin walking before opening the spreader. Space each pass so that some fertilizer overlaps with the fertilizer applied on the previous pass. Close spreader before you stop walking.

An Alternative Pattern

1. Look for a fertilizer that lists spreader settings for your spreader type and model.
2. Use the half-rate setting suggested on the fertilizer bag, and go over your lawn twice in a crisscross or grid pattern.

Graphics / Illustration: Tom Laird, College of Agricultural Sciences. Copyright Penn State.

Visit us at "<http://aginfo.psu.edu/psp/index.html>"

For Spring/Summer/Fall Time Frame